

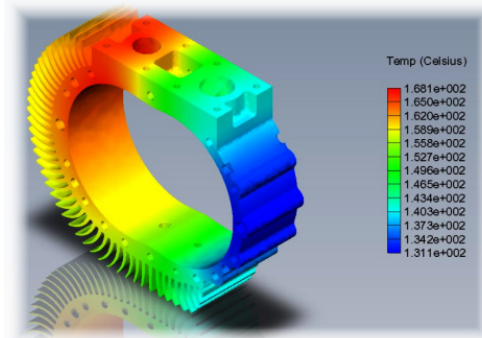
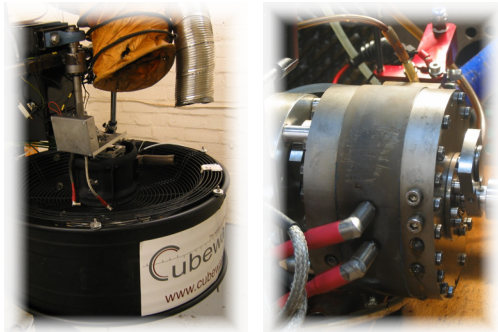
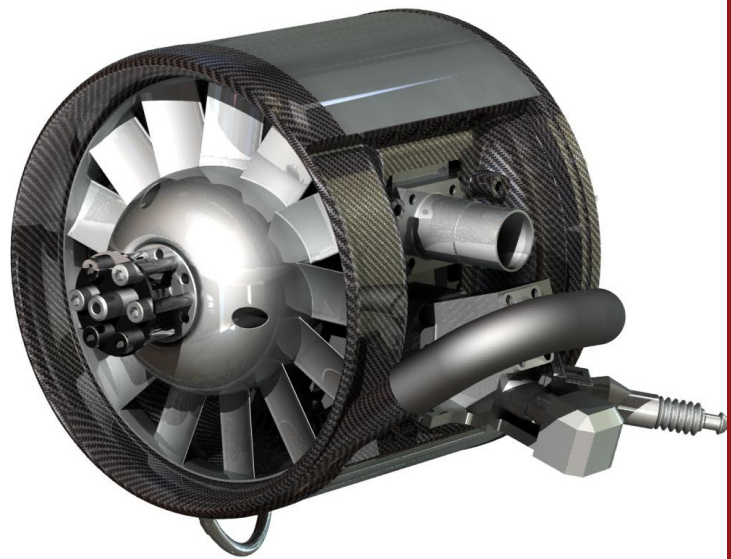
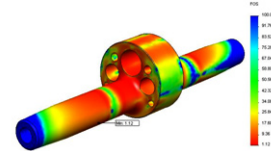


FIND THE EXACT ENGINE YOU WANT

Cubewano has a flexible design team with full analysis and test facilities to rapidly create your exact engine. We utilise the latest rapid design techniques from skeleton design CAD templates and all analysis is performed using state of the art FEA and CFD techniques. Development programs are managed to conform to the most rigorous DOD reporting requirements and compliance to AS9100. In house inspection, assembly and test facilities guarantee the final product is delivered on time, to specification, and within budget.

CAPABILITIES TO MODIFICATION OF EXISTING ENGINE DESIGNS

- Very rapid turn around for power requirement changes
- Packaging and vehicle integration
- Bespoke mounting and drive designs
- ECU control system alterations
- Cooling studies and integration
- Power and SFC optimisation
- Cowl and ancillary packaging
- Weight optimisation



CAPABILITIES FOR CLEAN SHEET ENGINE DESIGN

- Rapid design templates
- FEA and CFD design verification
- Rapid prototyping facilities
- Rapid prototype manufacturing
- Production of custom engines based on COTS designs available on short lead times as required
- Power verification
- SFC verification
- Heat measurements
- Liquid or air cooled
- From 1 to 50hp
- Piston or wankel rotary
- Otto or Diesel cycle

Please Note: We are able to amend the model for your own specifications. Please do not hesitate to contact us for more details.

The World's Most Advanced Small Engines

