

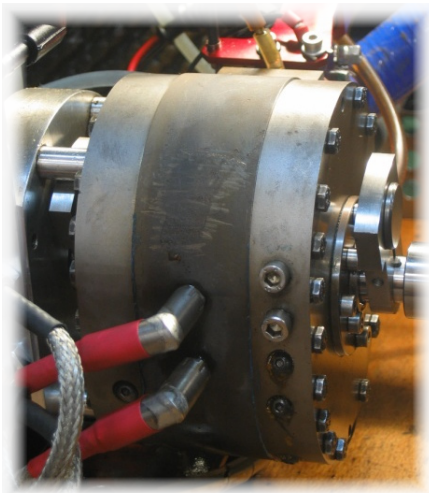
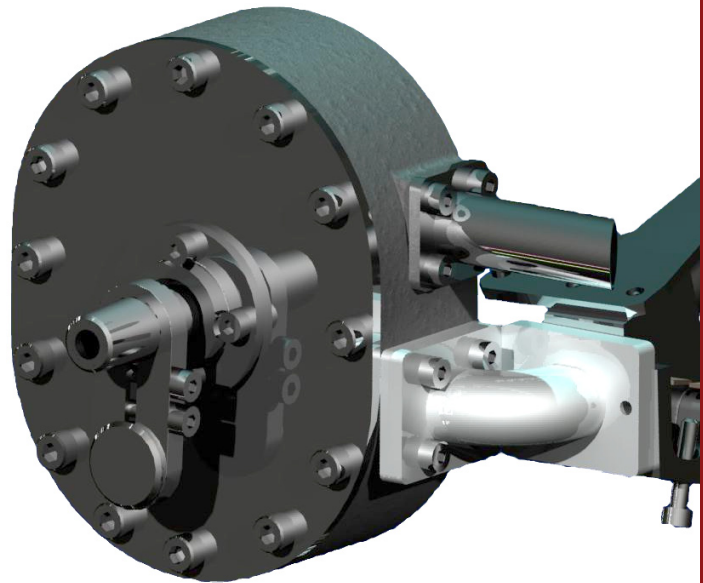


SONIC 35 LIQUID COOLED ENGINE.

As with all Cubewano engines, the Sonic family of engines are designed to maximize quality, fuel efficiency, and reliability. The Sonic 35 LC Engine has been designed for a stable extended length running and consequently has the ability to facilitate mounting in enclosed areas utilising our external cooling feature. The Sonic 35 LC Engine achieves high Power to Weight Ratios while generating exceptionally low vibration. This engine is ideally suited to portable power generation and vehicle installations where managing air flow is difficult.

DESIGN

- Liquid Cooled
- High power to weight ratio
- Low Vibration
- Lightweight construction
- Separate oil system
- Integrated coolant pump
- Electronic engine management
- Extensive use of high tech materials.
- Optional optimised port timing for reduced SFC at mid range creating consistent long duration run times.



SPECIFICATIONS

- Single rotor Wankel
- Power: 8.5hp at 9200rpm.
- Reduction drive version upon request
- Weight 5kg (11lbs) depending on ancillaries
- Liquid cooled with integral pump
- Fuel system: Electronic fuel injection
- Automatic altitude compensation.
- Ignition system: via ECU
- Switchable Fuel: Gasoline or JP8 (JET A1)

The Sonic 35LC is from the Sonic family of engines. The full line of Sonic engines produces power ranging from 6-12hp and can be customized for you needs.

The World's Most Advanced Small Engines

